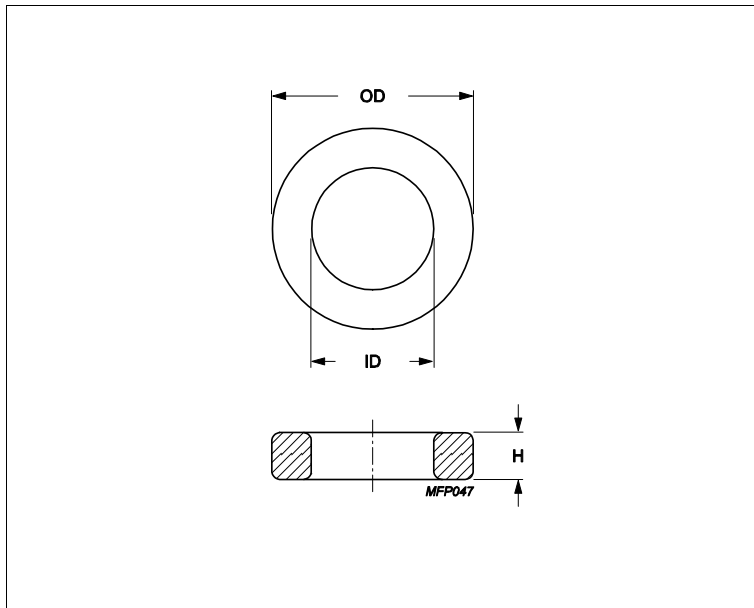


## Core **Toroid 22/14/6.4**



Effective parameters			
	Parameter	Value	Unit
$\Sigma(I/A)$	core factor (C1)	2.2	mm <sup>-1</sup>
<b>Ve</b>	effective volume	1340	mm <sup>3</sup>
<b>Le</b>	effective length	54.2	mm
<b>Ae</b>	effective area	24.8	mm <sup>2</sup>
<b>m</b>	mass of core	≈ 6.5	g/pcs

Epoxy coating DC isolation voltage 2000.

Maximum operating temperature of the coating is 200°C.

### Dimensions (mm)

Cores	OD	ID	H	
<b>TX22/14/6.4</b>	23.05 max	12.87 min	7.15 max	Epoxy Coated

### Core data

Cores	Material	AI (nH/turns <sup>2</sup> )	AI tolerance	$\mu e$
<b>TX22/14/6.4</b>	3C94	1330	± 25%	≈ 2300
<b>TX22/14/6.4</b>	3E10	5790	± 20%	≈ 10000
<b>TX22/14/6.4</b>	3E12	6950	± 30%	≈ 12000
<b>TX22/14/6.4</b>	3E26 (3E27-M7)	4050	± 25%	≈ 7000
<b>TX22/14/6.4</b>	3E27	3180	± 25%	≈ 5500
<b>TX22/14/6.4</b>	3E6 (3E10-M)	5790	± 30%	≈ 10000
<b>TX22/14/6.4</b>	3E65	3010	± 25%	≈ 5200