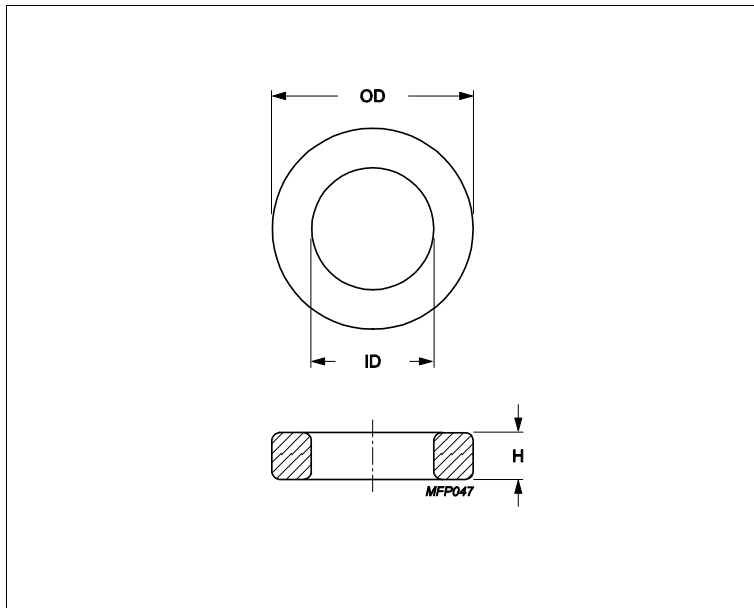


## Core **Toroid 36/23/10**



Effective parameters			
	Parameter	Value	Unit
$\Sigma(I/A)$	core factor (C1)	1.38	mm <sup>-1</sup>
<b>Ve</b>	effective volume	5820	mm <sup>3</sup>
<b>Le</b>	effective length	89.7	mm
<b>Ae</b>	effective area	64.9	mm <sup>2</sup>
<b>m</b>	mass of core	≈ 27	g/pcs

Epoxy coating DC isolation voltage 2000.

Maximum operating temperature of the coating is 200°C.

### Dimensions (mm)

Cores	OD	ID	H	
<b>TX36/23/10</b>	37.15 max	22.05 min	10.92 max	Epoxy Coated

### Core data

Cores	Material	AI (nH/turns <sup>2</sup> )	AI tolerance	$\mu\epsilon$
<b>TX36/23/10</b>	3C94	2060	± 25%	≈ 2300
<b>TX36/23/10</b>	3E10	8970	± 20%	≈ 10000
<b>TX36/23/10</b>	3E12	10800	± 30%	≈ 12000
<b>TX36/23/10</b>	3E27	4930	± 25%	≈ 5500
<b>TX36/23/10</b>	3E6 (3E10-M)	8970	± 30%	≈ 10000
<b>TX36/23/10</b>	3E65	4670	± 25%	≈ 5200