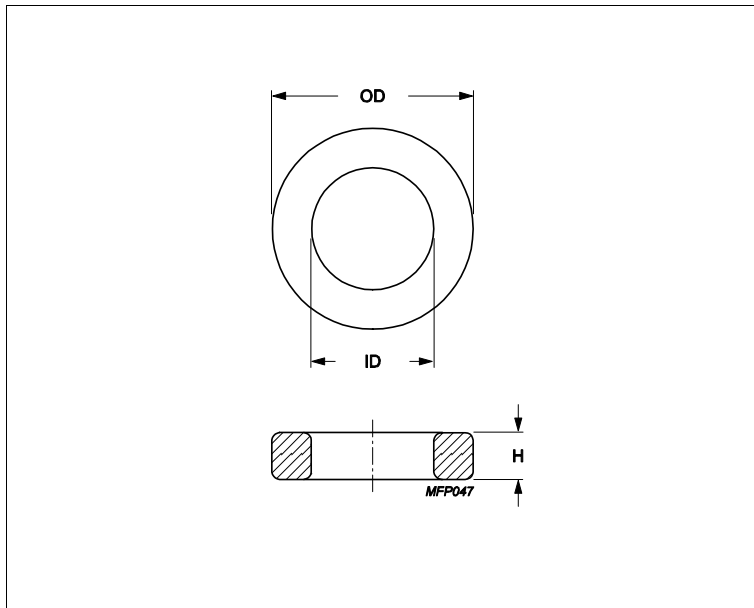


## Core **Toroid 36/23/15**



Effective parameters			
	Parameter	Value	Unit
$\Sigma(I/A)$	core factor (C1)	0.919	mm <sup>-1</sup>
<b>Ve</b>	effective volume	8740	mm <sup>3</sup>
<b>Le</b>	effective length	89.7	mm
<b>Ae</b>	effective area	97.5	mm <sup>2</sup>
<b>m</b>	mass of core	≈ 40	g/pcs

Epoxy coating DC isolation voltage 200.

Maximum operating temperature of the coating is 200°C.

### Dimensions (mm)

Cores	OD	ID	H	
<b>TX36/23/15</b>	37.15 max	22.05 min	16 max	Epoxy Coated

### Core data

Cores	Material	AI (nH/turns <sup>2</sup> )	AI tolerance	$\mu\epsilon$
<b>TX36/23/15</b>	3C94	3110	± 25%	≈ 2300
<b>TX36/23/15</b>	3E10	13500	± 20%	≈ 10000
<b>TX36/23/15</b>	3E12	16200	± 30%	≈ 12000
<b>TX36/23/15</b>	3E26 (3E27-M7)	9450	± 25%	≈ 7000
<b>TX36/23/15</b>	3E27	7430	± 25%	≈ 5500
<b>TX36/23/15</b>	3E6 (3E10-M)	13500	± 30%	≈ 10000
<b>TX36/23/15</b>	3E65	7020	± 25%	≈ 5200