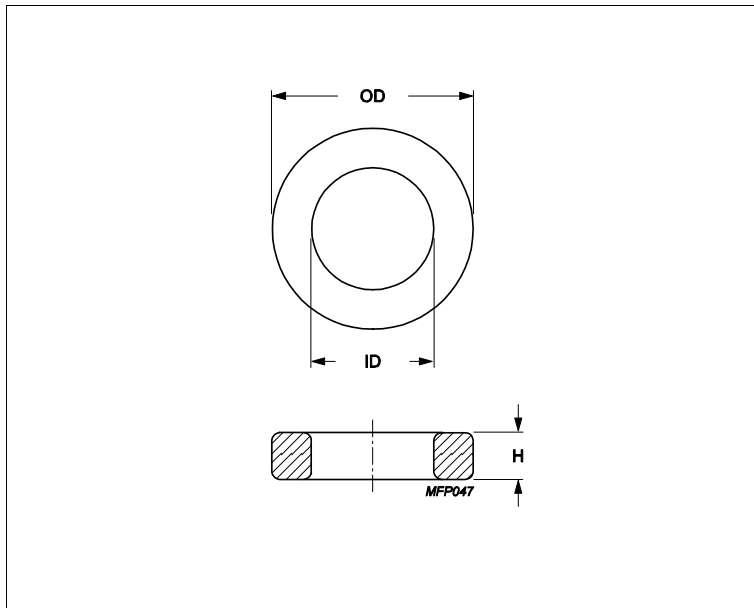


## Core **Toroid 51/32/19**



Effective parameters			
	Parameter	Value	Unit
$\Sigma(I/A)$	core factor (C1)	0.73	mm <sup>-1</sup>
<b>Ve</b>	effective volume	21500	mm <sup>3</sup>
<b>Le</b>	effective length	125	mm
<b>Ae</b>	effective area	172	mm <sup>2</sup>
<b>m</b>	mass of core	≈ 100	g/pcs

Epoxy coating DC isolation voltage 2000.

Maximum operating temperature of the coating is 200°C.

### Dimensions (mm)

Cores	OD	ID	H	
<b>TX51/32/19</b>	52.55 max	30.5 min	19.9 max	Epoxy Coated

### Core data

Cores	Material	AI (nH/turns <sup>2</sup> )	AI tolerance	$\mu\epsilon$
<b>TX51/32/19</b>	3C94	4130	± 25%	≈ 2300
<b>TX51/32/19</b>	3E10	17000	± 20%	≈ 9500
<b>TX51/32/19</b>	3E27	9870	± 25%	≈ 5500
<b>TX51/32/19</b>	3E6 (3E10-M)	17000	± 30%	≈ 9500
<b>TX51/32/19</b>	3E65	9330	± 25%	≈ 5200